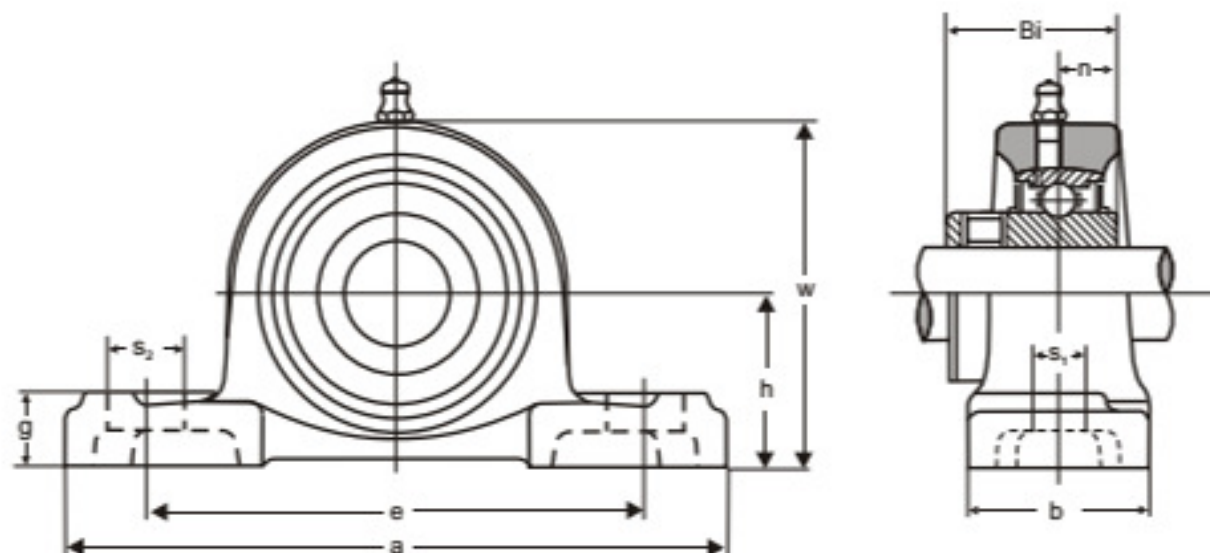


PILLOW BLOCKS

UCP 200 type
Normal Duty
Set-screw Locking



UnitNo.	Shaft Diam. mm	Dimensions mm										Bolt Size mm	Bearing No.	Housing No.	Weight Kg.
		h	a	e	b	s1	s2	g	w	Bi	n				
UCP 201	12	33.3	127	95	38	13	19	15	65	31	12.7	M 10	UC 201	P 204	0.65
UCP 202	15	33.3	127	95	38	13	19	15	65	31	12.7	M 10	UC 202	P 204	0.63
UCP 203	17	33.3	127	95	38	13	19	15	65	31	12.7	M 10	UC 203	P 204	0.62
UCP 204	20	33.3	127	95	38	13	19	15	65	31	12.7	M 10	UC 204	P 204	0.65
UCP 205	25	36.5	140	105	38	13	16	16	70	34.1	14.3	M 10	UC 205	P 205	0.79
UCP 206	30	42.9	165	121	48	17	21	18	83	38.1	15.9	M 14	UC 206	P 206	1.3
UCP 207	35	47.6	167	127	48	17	21	19	94	42.9	17.5	M 14	UC 207	P 207	1.6
UCP 208	40	49.2	184	137	54	17	25	19	100	49.2	19	M 14	UC 208	P 208	2
UCP 209	45	54	190	146	54	17	22	20	108	49.2	19	M 14	UC 209	P 209	2.3
UCP 210	50	57.2	206	159	60	20	25	22	114	51.6	19	M 16	UC 210	P 210	2.7
UCP 211	55	63.5	219	171	60	20	25	22	126	55.6	22.2	M 16	UC 211	P 211	3.3
UCP 212	60	69.8	241	184	70	20	25	25	138	65.1	25.4	M 16	UC 212	P 212	4.7
UCP 213	65	76.2	265	203	70	25	29	27	150	65.1	25.4	M 20	UC 213	P 213	5.6
UCP 214	70	79.4	266	210	72	25	31	27	156	74.6	30.2	M 20	UC 214	P 214	7.3
UCP 215	75	82.6	275	217	74	25	31	28	163	77.8	33.3	M 20	UC 215	P 215	7.9
UCP 216	80	88.9	292	232	78	25	31	30	175	82.6	33.3	M 20	UC 216	P 216	10
UCP 217	85	95.2	310	247	83	25	31	32	187	85.7	34.1	M 20	UC 217	P 217	12.2
UCP 218	90	101.6	327	262	88	27	33	34	200	96	39.7	M 22	UC 218	P 218	14.7