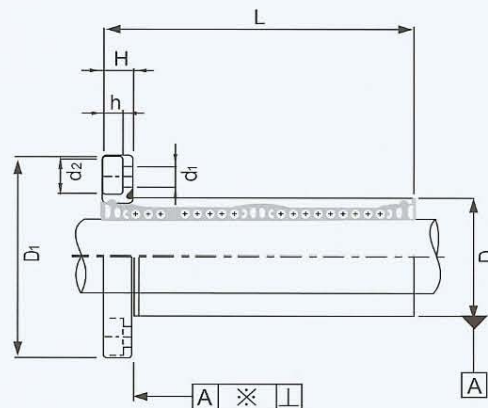


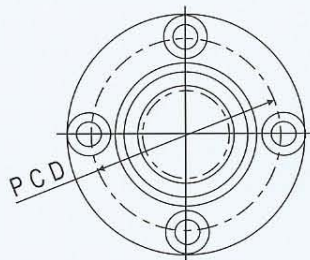


LMF/K/H□L Series

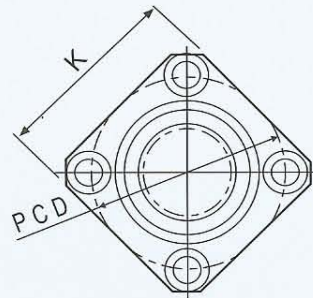
(SMF/K/T□W Series)



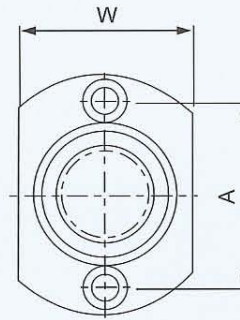
| Part No. | | | Main Dimensions and Tolerance | | | | | | | |
|-----------|----------|----------|-------------------------------|---------|----------------|--------|----------------|-------------|---------|--------|
| Seal Type | | | Ball Circuit | dr (mm) | Tolerance (μm) | D (mm) | Tolerance (μm) | L ±0.3 (mm) | D1 (mm) | H (mm) |
| LMF6LUU | LMK6LUU | LMH6LUU | 4 | 6 | 0 -10 | 12 | 0 -13 | 35 | 28 | 5 |
| LMF8LUU | LMK8LUU | LMH8LUU | 4 | 8 | | 15 | | 45 | 32 | 5 |
| LMF10LUU | LMK10LUU | LMH10LUU | 4 | 10 | | 19 | 0 -16 | 55 | 40 | 6 |
| LMF12LUU | LMK12LUU | LMH12LUU | 4 | 12 | | 21 | | 57 | 42 | 6 |
| LMF13LUU | LMK13LUU | LMH13LUU | 4 | 13 | | 23 | | 61 | 43 | 6 |
| LMF16LUU | LMK16LUU | LMH16LUU | 5 | 16 | | 28 | | 70 | 48 | 6 |
| LMF20LUU | LMK20LUU | LMH20LUU | 5 | 20 | 0 -12 | 32 | 0 -19 | 80 | 54 | 8 |
| LMF25LUU | LMK25LUU | LMH25LUU | 6 | 25 | | 40 | | 112 | 62 | 8 |
| LMF30LUU | LMK30LUU | LMH30LUU | 6 | 30 | | 45 | | 123 | 74 | 10 |
| LMF35LUU | LMK35LUU | - | 6 | 35 | 0 -15 | 52 | 0 -22 | 135 | 82 | 10 |
| LMF40LUU | LMK40LUU | - | 6 | 40 | | 60 | | 151 | 96 | 13 |
| LMF50LUU | LMK50LUU | - | 6 | 50 | | 80 | | 192 | 116 | 13 |
| LMF60LUU | LMK60LUU | - | 6 | 60 | 0/-20 | 90 | 0/-25 | 209 | 134 | 18 |



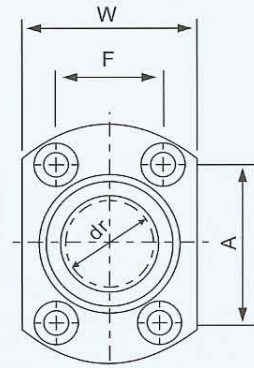
LMF□L



LMK□L



LMH13L or less



LMH16L or more

| PCD (mm) | K (mm) | W (mm) | A (mm) | F (mm) | d1xd2xh (mm) | Eccentricity (max) μm | Radial Clearance (max) μm | Basic Load Rating | | Weight (g) | Part No. |
|-------------|-----------|-----------|-----------|-----------|-----------------|-----------------------------|------------------------------------|----------------------|---------|---------------|--------------|
| | | | | | | | | C N | Co N | | |
| 20 | 22 | 18 | 20 | - | 3.5x6x3.1 | 15 | -3 | 323 | 529 | 31 | LMF/K/H6LUU |
| 24 | 25 | 21 | 24 | - | 3.5x6x3.1 | 15 | -3 | 431 | 784 | 51 | LMF/K/H8LUU |
| 29 | 30 | 25 | 29 | - | 4.5x7.5x4.1 | 15 | -4 | 588 | 1100 | 98 | LMF/K/H10LUU |
| 32 | 32 | 27 | 32 | - | 4.5x7.5x4.1 | 15 | -4 | 813 | 1570 | 110 | LMF/K/H12LUU |
| 33 | 34 | 29 | 33 | - | 4.5x7.5x4.1 | 15 | -4 | 813 | 1570 | 130 | LMF/K/H13LUU |
| 38 | 37 | 34 | 31 | 22 | 4.5x7.5x4.1 | 15 | -6 | 1230 | 2350 | 190 | LMF/K/H16LUU |
| 43 | 42 | 38 | 36 | 24 | 5.5x9x5.1 | 20 | -6 | 1400 | 2740 | 260 | LMF/K/H20LUU |
| 51 | 50 | 46 | 40 | 32 | 5.5x9x5.1 | 20 | -6 | 1560 | 3140 | 540 | LMF/K/H25LUU |
| 60 | 58 | 51 | 49 | 35 | 6.6x11x6.1 | 20 | -8 | 2490 | 5490 | 680 | LMF/K/H30LUU |
| 67 | 64 | - | - | - | 6.6x11x6.1 | 25 | -8 | 2650 | 6270 | 1020 | LMF/K35LUU |
| 78 | 75 | - | - | - | 9x14x8.1 | 25 | -10 | 3430 | 8040 | 1570 | LMF/K40LUU |
| 98 | 92 | - | - | - | 9x14x8.1 | 25 | -13 | 6080 | 15900 | 3600 | LMF/K50LUU |
| 112 | 106 | - | - | - | 11x17x11.1 | 25 | -13 | 7550 | 20000 | 4500 | LMF/K60LUU |