



# LMF/K/ H Series

## (SMF/K/T Series)



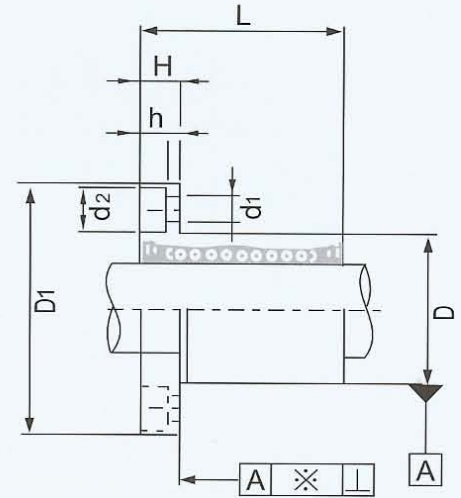
LMF



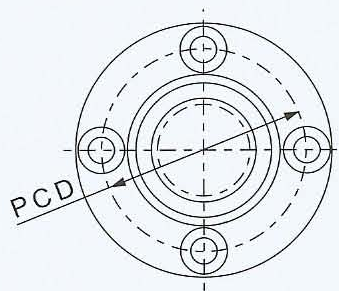
LMH



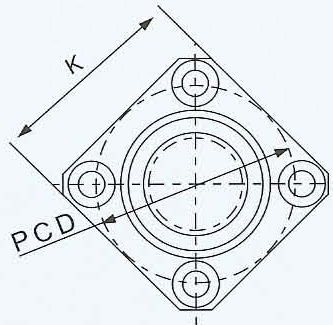
LMK



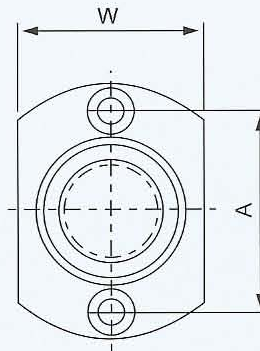
Part No.			Main Dimensions and Tolerance											
Seal Type			Ball Circuit	dr (mm)	Tolerance (μm)	D (mm)	Tolerance (μm)	L <sub>±0.3</sub> (mm)	D1 (mm)	H (mm)	PCD (mm)	K (mm)	W (mm)	A (mm)
LMF6UU	LMK6UU	LMH6UU	4	6	0 -9	12	0 -11	19	28	5	20	22	18	20
LMF8UU	LMK8UU	LMH8UU	4	8		15		24	32	5	24	25	21	24
LMF10UU	LMK10UU	LMH10UU	4	10		19	0 -13	29	40	6	29	30	25	29
LMF12UU	LMK12UU	LMH12UU	4	12		21		30	42	6	32	32	27	32
LMF13UU	LMK13UU	LMH13UU	4	13		23		32	43	6	33	34	29	33
LMF16UU	LMK16UU	LMH16UU	5	16		28		37	48	6	38	37	34	31
LMF20UU	LMK20UU	LMH20UU	5	20	0 -10	32	0 -16	42	54	8	43	42	38	36
LMF25UU	LMK25UU	LMH25UU	6	25		40		59	62	8	51	50	46	40
LMF30UU	LMK30UU	LMH30UU	6	30		45		64	74	10	60	58	51	49
LMF35UU	LMK35UU	—	6	35	0 -12	52	0 -19	70	82	10	67	64	—	—
LMF40UU	LMK40UU	—	6	40		60		80	96	13	78	75	—	—
LMF50UU	LMK50UU	—	6	50		80		100	116	13	98	92	—	—
LMF60UU	LMK60UU	—	6	60	0/-15	90	0/-22	110	134	18	112	106	—	—



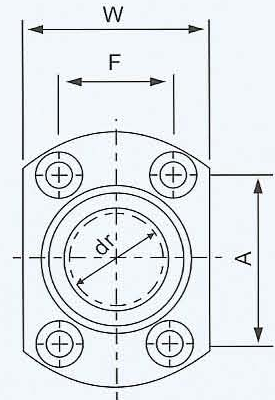
LMF



LMK



LMH13 or less



LMH16 or more

F (mm)	d1xd2xh (mm)	Eccentricity (max) мм	Radial Clearance (max) мм	Basic Load Rating		Weight (g)	Part No.
				C N	Co N		
-	3.5x6x3.1	12	-3	206	265	24	LMF/K/H6UU
-	3.5x6x3.1			274	392	37	LMF/K/H8UU
-	4.5x7.5x4.1		-4	372	549	72	LMF/K/H10UU
-	4.5x7.5x4.1			510	784	76	LMF/K/H12UU
-	4.5x7.5x4.1			510	784	88	LMF/K/H13UU
22	4.5x7.5x4.1		15	-6	774	1180	120
24	5.5x9x5.1	882			1370	180	LMF/K/H20UU
32	5.5x9x5.1	980		1570	340	LMF/K/H25UU	
35	6.6x11x6.1	20	-8	1570	2740	470	LMF/K/H30UU
-	6.6x11x6.1			1670	3140	650	LMF/K35UU
-	9x14x8.1		25	-10	2160	4020	1060
-	9x14x8.1	-13		3820	7940	2200	LMF/K50UU
-	11x17x11.1			4700	10000	3000	LMF/K60UU