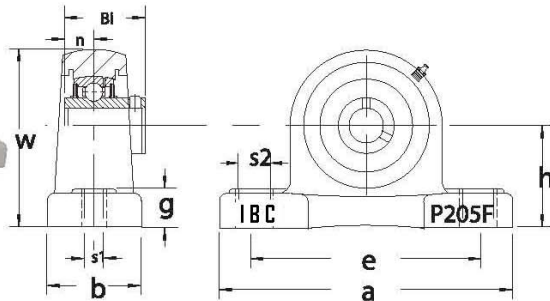




# Thermoplastic Pillow Blocks

SUCP200-PBT Stainless Bearing / ZUCP200-PBT Zinc Plated Bearing



- For stainless steel, zinc and PBT grade specifications, see page 101
- Solid base housing construction
- Wide inner ring bearing with set screws
- Relubricatable unit with anti-rotation pin
- Supplied with water/wash resistant Mobilgrease FM102 (FDA/USDA approved)
- Standard seal: FDA approved silicone rubber seal protected by stainless steel slinger
- End caps and open caps w/shaft seals available

## SUCP200-PBT with Stainless Steel Insert Bearings

Unit No.	Dimensions in mm											Bearing No.	Housing No.	
	Shaft Diam.	h	a	e	b	s1	s2	g	w	Bi	n			
SUCP201 -8-PBT	1/2												SUC201 -8	P-204-HA-PBT
SUCP201 -12m-PBT	12mm												SUC201 -12mm	
SUCP202 -9-PBT	9/16	1 5/16	5	3 3/4	1 1/2	7/16	3 5/64	9/16	2 9/16	1.22	0.500	3/8	SUC202 -9	
SUCP202 -10-PBT	5/8	33.3	127.0	95.0	38.0	11.0	14.0	14.2	65.0	31.00	12.70		SUC202 -10	
SUCP202 -15m-PBT	15mm												SUC202 -15mm	P-205-HA-PBT
SUCP203 -11-PBT	11/16												SUC203 -11	
SUCP203 -17m-PBT	17mm												SUC203 -17mm	
SUCP204 -12-PBT	3/4	1 5/16	5	3 3/4	1 1/2	7/16	3 5/64	9/16	2 9/16	1.22	0.500	3/8	SUC204 -12	
SUCP204 -20m-PBT	20mm	33.3	127.0	95.0	38.0	11.0	14.0	14.2	65.0	31.00	12.70		SUC204 -20mm	P-206-HA-PBT
SUCP205 -14-PBT	7/8												SUC205 -14	
SUCP205 -15-PBT	15/16	1 7/16	5 1/2	4 1/8	1 1/2	7/16	3 5/64	9/16	2 3/4	1.34	0.563	3/8	SUC205 -15	
SUCP205 -16-PBT	1	36.5	140.0	105.0	38.0	11.0	14.0	14.5	71.0	34.10	14.30		SUC205 -16	
SUCP205 -25m-PBT	25mm												SUC205 -25mm	P-207-HA-PBT
SUCP206 -18-PBT	1 1/8												SUC206 -18	
SUCP206 -19-PBT	1 3/16												SUC206 -19	
SUCP206 -20-PBT	1 1/4(6)	1 11/16	6 3/8	4 11/16	1 7/8	17/32	2 3/32	11/16	3 9/32	1.50	0.626	7/16	SUC206 -20	
SUCP206 -30m-PBT	30mm	42.9	162.0	119.0	46.0	14.0	18.0	17.8	83.0	38.10	15.90		SUC206 -30mm	P-208-HA-PBT
SUCP207 -20-PBT	1 1/4												SUC207 -20	
SUCP207 -21-PBT	1 5/16												SUC207 -21	
SUCP207 -22-PBT	1 3/8	1 7/8	6 9/16	5	1 7/8	17/32	2 3/32	23/32	3 11/16	1.69	0.689	1/2	SUC207 -22	
SUCP207 -23-PBT	1 7/16	47.6	167.0	127.0	48.0	14.0	18.0	18.0	94.0	42.90	17.50		SUC207 -23	
SUCP207 -35m-PBT	35mm												SUC207 -35mm	P-208-HA-PBT
SUCP208 -24-PBT	1 1/2	1 15/16	7 1/4	5 3/8	2 1/8	17/32	2 3/32	25/32	3 15/16	1.94	0.748	1/2	SUC208 -24	
SUCP208 -40m-PBT	40mm	49.2	184.0	137.0	54.0	14.0	18.0	19.5	98.0	49.20	19.00		SUC208 -40mm	

## ZUCP200-PBT with Zinc Chromate Plated Insert Bearings

Unit No.	Dimensions in mm											Bearing No.	Housing No.	
	Shaft Diam.	h	a	e	b	s1	s2	g	w	Bi	n			
ZUCP201 -8-PBT	1/2												ZUC201 -8	P-204-HA-PBT
ZUCP201 -12m-PBT	12mm												ZUC201 -12mm	
ZUCP202 -9-PBT	9/16	1 5/16	5	3 3/4	1 1/2	7/16	17/32	17/32	2 9/16	1.22	0.500	3/8	ZUC202 -9	
ZUCP202 -10-PBT	5/8	33.3	127.0	95.0	38.0	11.0	14.0	14.2	65.0	31.00	12.70		ZUC202 -10	
ZUCP202 -15m-PBT	15mm												ZUC202 -15mm	P-205-HA-PBT
ZUCP203 -11-PBT	11/16												ZUC203 -11	
ZUCP203 -17m-PBT	17mm												ZUC203 -17mm	
ZUCP204 -12-PBT	3/4	1 5/16	5	3 3/4	1 1/2	7/16	17/32	17/32	2 9/16	1.22	0.500	3/8	ZUC204 -12	
ZUCP204 -20m-PBT	20mm	33.3	127.0	95.0	38.0	11.0	14.0	14.2	65.0	31.00	12.70		ZUC204 -20mm	P-206-HA-PBT
ZUCP205 -14-PBT	7/8												ZUC205 -14	
ZUCP205 -15-PBT	15/16	1 7/16	5 1/2	4 1/8	1 1/2	7/16	17/32	9/16	2 3/4	1.34	0.563	3/8	ZUC205 -15	
ZUCP205 -16-PBT	1	36.5	140.0	105.0	8	11.0	14.0	14.5	71.0	34.10	14.30		ZUC205 -16	
ZUCP205 -25m-PBT	25mm												ZUC205 -25mm	P-207-HA-PBT
ZUCP206 -18-PBT	1 1/8												ZUC206 -18	
ZUCP206 -19-PBT	1 3/16												ZUC206 -19	
ZUCP206 -20-PBT	1 1/4(6)	1 11/16	6 3/8	4 11/16	1 7/8	17/32	23/32	11/16	3 9/32	1.50	0.626	7/16	ZUC206 -20	
ZUCP206 -30m-PBT	30mm	42.9	162.0	119.0	46.0	14.0	18.0	17.8	83.0	38.10	15.90		ZUC206 -30mm	P-208-HA-PBT
ZUCP207 -20-PBT	1 1/4												ZUC207 -20	
ZUCP207 -21-PBT	1 5/16												ZUC207 -21	
ZUCP207 -22-PBT	1 3/8	1 7/8	6 9/16	5	1 7/8	17/32	23/32	23/32	3 11/16	1.69	0.689	1/2	ZUC207 -22	
ZUCP207 -23-PBT	1 7/16	47.6	167.0	127.0	48.0	14.0	18.0	18.0	94.0	42.90	17.50		ZUC207 -23	
ZUCP207 -35m-PBT	35mm												ZUC207 -35mm	P-208-HA-PBT
ZUCP208 -24-PBT	1 1/2	1 15/16	7 1/4	5 3/8	2 1/8	17/32	23/32	25/32	3 15/16	1.94	0.748	1/2	ZUC208 -24	
ZUCP208 -40m-PBT	40mm	49.2	184.0	137.0	54.0	14.0	18.0	19.5	98.0	49.20	19.00		ZUC208 -40mm	

Also available with black oxide plated insert. Part number example: UCP205-16-BPBT.