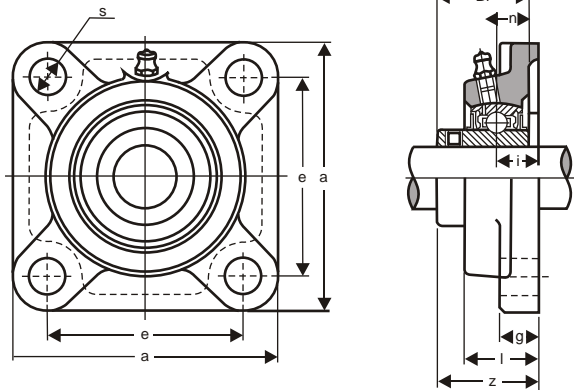
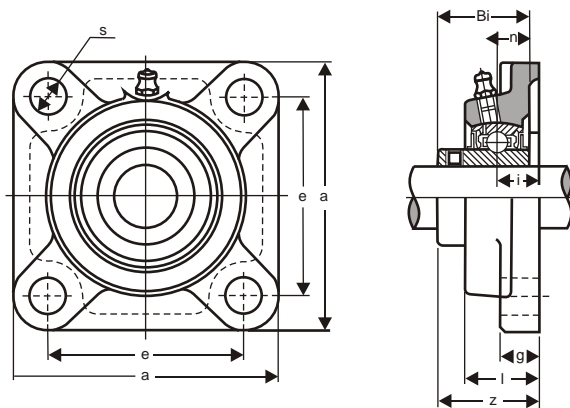


UCF 200 type
Normal Duty
Set-screw Locking



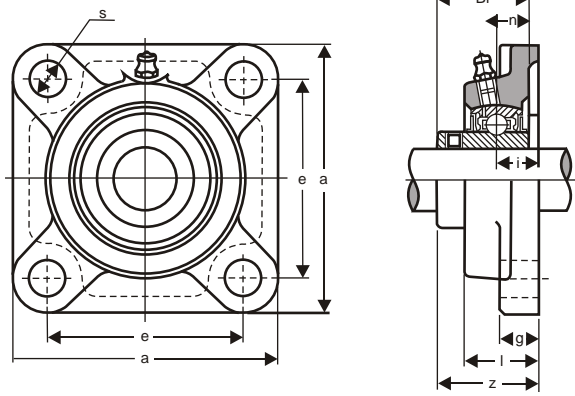
Unit No.	Shaft Diam. mm	Dimensions mm									Bolt Size mm	Bearing No.	Housing No.	Weight kg
		a	e	i	g	l	s	Z	Bi	n				
UCF 201	12	86	64	15	12	25.5	12	33.3	31	12.7	M 10	UC 201	F 204	0.64
UCF 202	15	86	64	15	12	25.5	12	33.3	31	12.7	M 10	UC 202	F 204	0.62
UCF 203	17	86	64	15	12	25.5	12	33.3	31	12.7	M 10	UC 203	F 204	0.61
UCF 204	20	86	64	15	12	25.5	12	33.3	31	12.7	M 10	UC 204	F 204	0.59
UCF 205	25	95	70	16	14	27	12	35.7	34.1	14.3	M 10	UC 205	F 205	0.82
UCF 206	30	108	83	18	14	31	12	40.2	38.1	15.9	M 10	UC 206	P 206	1.1
UCF 207	35	117	92	19	16	34	14	44.4	42.9	17.5	M 12	UC 207	F 207	1.5
UCF 208	40	130	102	21	16	36	16	51.2	49.2	19	M 14	UC 208	F 208	2
UCF 209	45	137	105	22	18	38	16	52.2	49.2	19	M 14	UC 209	F 209	2.4
UCF 210	50	143	111	22	18	40	16	54.6	51.6	19	M 14	UC 210	F 210	2.5
UCF 211	55	162	130	25	20	43	19	58.4	55.6	22.2	M 16	UC 211	F 211	3.4
UCF 212	60	175	143	29	20	48	19	68.7	65.1	25.4	M 16	UC 212	F 212	4.6
UCF 213	65	187	149	30	20	50	19	69.7	65.1	25.4	M 16	UC 213	F 213	5.5
UCF 214	70	193	152	31	24	54	19	75.4	74.6	30.2	M 16	UC 214	F 214	6.1
UCF 215	75	200	159	34	24	56	19	78.5	77.8	33.3	M 16	UC 215	F 215	6.9
UCF 216	80	208	165	34	24	58	23	83.3	82.6	33.3	M 20	UC 216	F 216	7.8
UCF 217	85	220	175	36	26	63	23	87.6	85.7	34.1	M 20	UC 217	F 217	9.3
UCF 218	90	235	187	40	26	68	23	96.3	96	39.7	M 20	UC 218	F 218	11.3

UCF X00 type
Medium Duty
Set-screw Locking



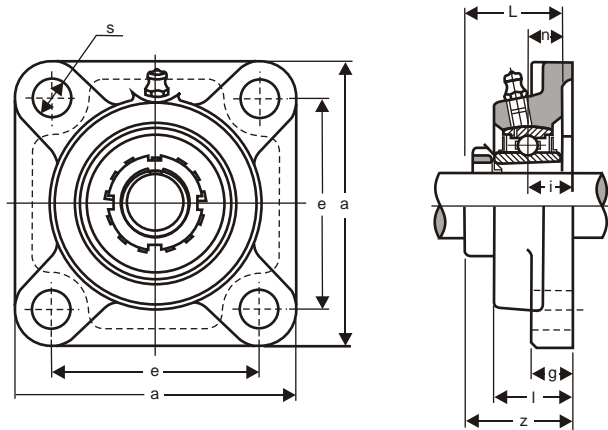
Unit No.	Shaft Diam. mm	Dimensions mm									Bolt Size mm	Bearing No.	Housing No.	Weight kg
		a	e	i	g	l	s	Z	Bi	n				
UCF X05	25	108	83	18	13	30	12	40.2	38.1	15.9	M 10	UC X05	F X05	1.1
UCF X06	30	117	92	19	14	34	16	44.4	42.9	17.5	M 14	UC X06	F X06	1.3
UCF X07	35	130	102	21	14	38	16	51.2	49.2	19	M 14	UC X07	F X07	1.8
UCF X08	40	137	105	22	14	40	19	52.2	49.2	19	M 16	UC X08	F X08	1.8
UCF X09	45	143	111	23	14	40	19	55.6	51.6	19	M 16	UC X09	F X09	2.4
UCF X10	50	162	130	26	20	44	19	59.4	55.6	22.2	M 16	UC X10	F X10	3.6
UCF X11	55	175	143	29	20	49	19	68.7	65.1	25.4	M 16	UC X11	F X11	4.5
UCF X12	60	197	149	34	21	59	19	73.7	65.1	25.4	M 16	UC X12	F X12	5.3
UCF X13	65	187	149	34	21	59	19	78.4	74.6	30.2	M 16	UC X13	F X13	5.5
UCF X14	70	197	152	37	24	60	23	81.5	77.8	33.3	M 20	UC X14	F X14	7.7
UCF X15	75	197	152	40	24	69	23	89.3	82.6	33.3	M 20	UC X15	F X15	7.7
UCF X16	80	214	171	40	24	70	23	91.6	85.7	34.1	M 20	UC X16	F X16	10.2
UCF X17	85	214	171	40	24	70	23	96.3	96	39.7	M 20	UC X17	F X17	10.2
UCF X18	90	214	171	45	24	76	23	106.1	104	42.9	M 20	UC X18	F X18	10.6
UCF X20	100	268	211	59	31	97	31	127.3	117.5	49.2	M 27	UC X20	F X20	16.8

UCF 300 type
Heavy Duty
Set-screw Locking



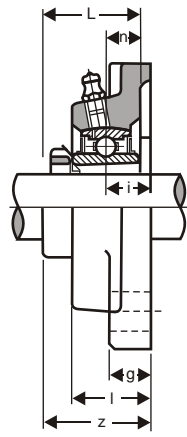
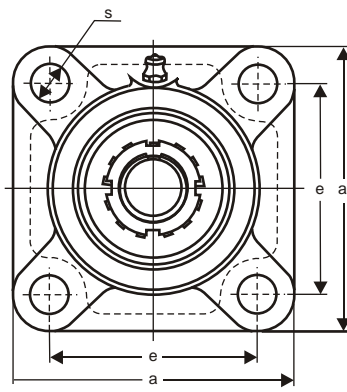
Unit No.	Shaft Diam mm	Dimensions mm									Bolt Size mm	Bearing No.	Housing No.	Weight kg
		a	e	i	g	l	s	Z	Bi	n				
UCF 305	25	110	80	16	13	29	16	39	38	15	M 14	UC 305	F 305	1.2
UCF 306	30	125	95	18	15	32	16	44	43	17	M 14	UC 306	F 306	1.7
UCF 307	35	135	100	20	16	36	19	49	48	19	M 16	UC 307	F 307	2.1
UCF 308	40	150	112	23	17	40	19	56	52	19	M 16	UC 308	F 308	2.9
UCF 309	45	160	125	25	18	44	19	60	57	22	M 16	UC 309	F 309	3.6
UCF 310	50	175	132	28	19	48	23	67	61	22	M 20	UC 310	F 310	4.7
UCF 311	55	185	140	30	20	52	23	71	66	25	M 20	UC 311	F 311	5.7
UCF 312	60	195	150	33	22	56	23	78	71	26	M 20	UC 312	F 312	6.8
UCF 313	65	208	166	33	22	58	23	78	75	30	M 20	UC 313	F 313	7.8
UCF 314	70	226	178	36	25	61	25	81	78	33	M 22	UC 314	F 314	9.6
UCF 315	75	236	184	39	25	66	25	89	82	32	M 22	UC 315	F 315	11.7
UCF 316	80	250	196	38	27	68	31	90	86	34	M 27	UC 316	F 316	13.7
UCF 317	85	260	204	44	27	74	31	100	96	40	M 27	UC 317	F 317	15.2
UCF 318	90	280	216	44	30	76	35	100	96	40	M 30	UC 318	F 318	18.8
UCF 319	95	290	228	59	30	94	35	121	103	41	M 30	UC 319	F 319	20.7
UCF 320	100	310	242	59	32	94	38	125	108	42	M 33	UC 320	F 320	24.8
UCF 321	105	310	242	59	32	94	38	127	112	44	M 33	UC 321	F 321	25.6
UCF 322	110	340	266	60	35	96	41	131	117	46	M 36	UC 322	F 322	34.7
UCF 324	120	370	290	65	40	110	41	140	126	51	M 36	UC 324	F 324	47.2
UCF 326	130	410	320	65	45	115	41	146	135	54	M 36	UC 326	F 326	62.7
UCF 328	140	450	350	75	55	125	41	161	145	59	M 36	UC 328	F 328	87

UKF 200+Htype
Normal Duty
Adapter Sleeve Locking



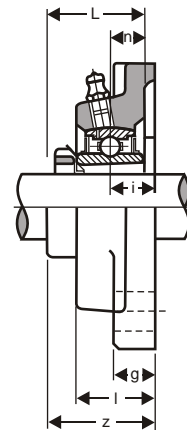
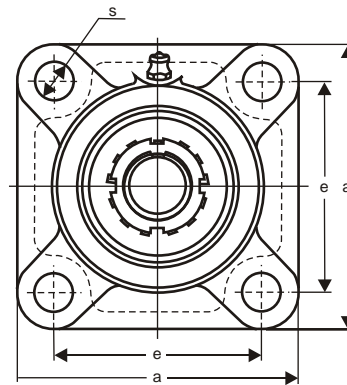
Unit No.	Shaft Diam. mm	Dimensions mm									Bolt Size mm	Bearing No.	Housing No.	Weight kg
		a	e	i	g	l	s	Z	L					
UKF 205+H2305	20	95	70	16	14	27	12	35.5	35	M 10	UK 205+H2305	F 205	0.87	
UKF 206+H2306	25	108	83	18	14	31	12	39	38	M 10	UK 206+H2306	F 206	1.2	
UKF 207+H2307	30	117	92	19	16	34	14	41.5	43	M 12	UK 207+H2307	F 207	1.5	
UKF 208+H2308	35	130	102	21	16	36	16	45.5	46	M 14	UK 208+H2308	F 208	2.1	
UKF 209+H2309	40	137	105	22	18	38	16	48	50	M 14	UK 209+H2309	F 209	2.5	
UKF 210+H2310	45	143	111	22	18	40	16	49.5	55	M 14	UK 210+H2310	F 210	2.7	
UKF 211+H2311	50	162	130	25	20	43	19	53.5	59	M 16	UK 211+H2311	F 211	3.6	
UKF 212+H2312	55	175	143	29	20	48	19	60	62	M 16	UK 212+H2312	F 212	4.6	
UKF 213+H2313	60	187	149	30	20	50	19	63	65	M 16	UK 213+H2313	F 213	5.7	
UKF 215+H2315	65	200	159	34	24	56	19	69.5	73	M 16	UK 215+H2315	F 215	7.3	
UKF 216+H2316	70	208	165	34	24	58	23	73	78	M 20	UK 216+H2316	F 216	8.2	
UKF 217+H2317	75	220	175	36	26	63	23	77	82	M 20	UK 217+H2317	F 217	9.8	
UKF 218+H2318	80	235	187	40	26	68	23	82.5	86	M 20	UK 218+H2318	F 218	11.7	

UKF X00+Htype
Medium Duty
Adapter Sleeve Locking



Unit No.	Shaft Diam. mm	Dimensions mm								Bolt Size mm	Bearing No.	Housing No.	Weight kg
		a	e	i	g	l	s	Z	L				
UKF X05+H2305	20	108	83	18	13	30	12	39	35	M 10	UK X05+H2305	F X05	1.1
UKF X06+H2306	25	117	92	19	14	34	16	40.5	38	M 14	UK X06+H2306	F X06	1.4
UKF X07+H2307	30	130	102	21	14	38	16	44.5	43	M 14	UK X07+H2307	F X07	1.8
UKF X08+H2301	35	137	105	22	14	40	19	47	46	M 16	UK X08+H2308	F X08	1.8
UKF X09+H2309	40	143	111	23	14	40	19	49.5	50	M 16	UK X09+H2309	F X09	2.4
UKF X10+H2310	45	162	130	26	20	44	19	54.5	55	M 16	UK X10+H2310	F X10	3.6
UKF X11+H2311	50	175	143	29	20	49	19	59	59	M 16	UK X11+H2311	F X11	4.3
UKF X12+H2312	55	187	149	34	21	59	19	66	62	M 16	UK X12+H2312	F X12	5.3
UKF X13+H2313	60	187	149	34	21	59	19	68	65	M 16	UK X13+H2313	F X13	5.2
UKF X15+H2315	65	197	152	40	24	68	23	77	73	M 20	UK X15+H2315	F X15	7.7
UKF X16+H2316	70	214	171	40	24	70	23	80	78	M 20	UK X16+H2316	F X16	10.2
UKF X17+H2317	75	214	171	40	24	70	23	82.5	82	M 20	UK X17+H2317	F X17	10.1
UKF X18+H2318	80	214	171	45	24	76	23	89	86	M 20	UK X18+H2318	F X18	10.2
UKF X20+H2320	90	268	211	59	31	97	31	108	97	M 27	UK X20+H2320	F X20	15.9

UKF 300+Htype
Heavy Duty
Adapter Sleeve Locking



Unit No.	Shaft Diam. mm	Dimensions mm								Bolt Size mm	Bearing No.	Housing No.	Weight kg
		a	e	i	g	l	s	Z	L				
UKF 305+H2305	20	110	80	16	13	29	16	37	35	M 14	UK 305+H2305	F 305	1.2
UKF 306+H2306	25	125	95	10	15	32	16	40.5	38	M 14	UK 306+H2306	F 306	1.7
UKF 307+H2307	30	135	100	20	16	36	19	44.5	43	M 16	UK 307+H2307	F 307	2.1
UKF 308+H2308	35	150	112	23	17	40	19	50	46	M 16	UK 308+H2308	F 308	3
UKF 309+H2309	40	160	125	25	10	44	19	54.5	50	M 16	UK 309+H2309	F 309	3.6
UKF 310+H2310	45	175	132	28	19	48	23	60	55	M 20	UK 310+H2310	F 310	4.8
UKF 311+H2311	50	185	140	30	20	52	23	63.5	59	M 20	UK 311+H2311	F 311	5.7
UKF 312+H2312	55	195	150	33	22	56	23	69	62	M 20	UK 312+H2312	F 312	6.7
UKF 313+H2313	60	208	166	33	22	58	23	71	65	M 20	UK 313+H2313	F 313	7.7
UKF 315+H2315	65	236	104	39	25	66	25	81	73	M 22	UK 315+H2315	F 315	11.8
UKF 316+H2316	70	250	196	38	27	60	31	83.5	75	M 27	UK 316+H2316	F 316	13.9
UKF 317+H2317	75	260	204	44	27	74	31	92	82	M 27	UK 317+H2317	F 317	15.1
UKF 318+H2318	80	280	216	44	30	76	35	93.5	86	M 30	UK 318+H2318	F 318	19
UKF 319+H2319	85	290	228	59	30	94	35	111	90	M 30	UK 319+H2319	F 319	20.8
UKF 320+H2320	90	310	242	59	32	94	38	115	97	M 33	UK 320+H2320	F 320	24.8
UKF 322+H2322	100	340	266	60	35	96	41	121	105	M 36	UK 322+H2322	F 322	34.8
UKF 324+H2324	110	370	290	65	40	110	41	130	112	M 36	UK 324+H2324	F 324	46.7
UKF 326+H2326	115	410	320	65	45	115	41	134	121	M 36	UK 326+H2326	F 326	63
UKF 328+H2328	125	450	350	75	55	125	41	148	131	M 36	UK 328+H2328	F 328	87.3