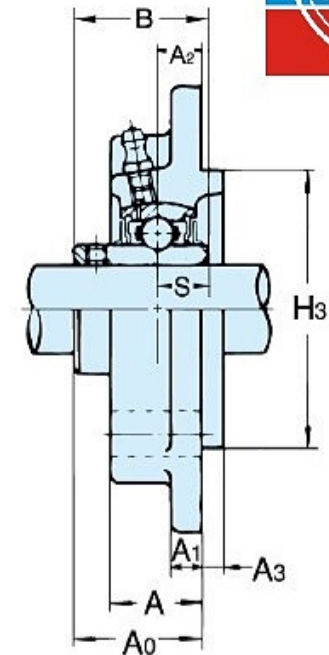
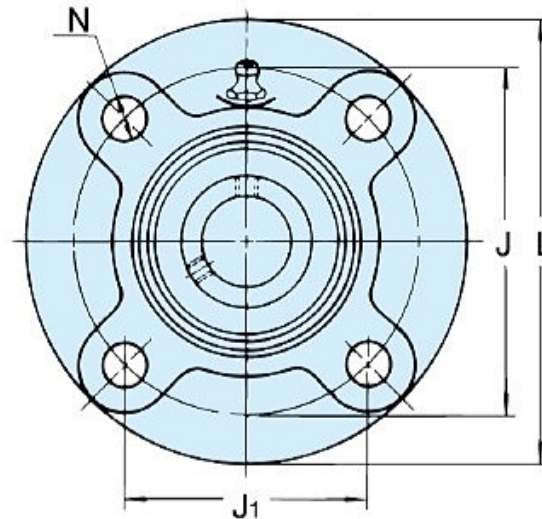




# FLANGE CARTRIDGE UNITS

## UCFC 200 type



Shaft Diam. mm	Unit No.	Dimensions mm												Bolt Size mm	Bearing		Housing No.	Weight kg
		L	J	J <sub>1</sub>	A <sub>2</sub>	N	A <sub>3</sub>	A <sub>1</sub>	A	H <sub>3</sub>	A <sub>0</sub>	B	S		No.	Basic Load Rating kN Cr Cor		
12	<b>UCFC 201</b>	100	78	55.1	10	12	5	7	20.5	62	28.3	31	12.7	M10	<b>UC 201</b>	12.8 6.6	<b>FC 204</b>	0.89
15	<b>UCFC 202</b>	100	78	55.1	10	12	5	7	20.5	62	28.3	31	12.7	M10	<b>UC 202</b>	12.8 6.6	<b>FC 204</b>	0.87
17	<b>UCFC 203</b>	100	78	55.1	10	12	5	7	20.5	62	28.3	31	12.7	M10	<b>UC 203</b>	12.8 6.6	<b>FC 204</b>	0.86
20	<b>UCFC 204</b>	100	78	55.1	10	12	5	7	20.5	62	28.3	31	12.7	M10	<b>UC 204</b>	12.8 6.6	<b>FC 204</b>	0.84
25	<b>UCFC 205</b>	115	90	63.6	10	12	6	7	21	70	29.8	34.1	14.3	M10	<b>UC 205</b>	14 7.9	<b>FC 205</b>	0.97
30	<b>UCFC 206</b>	125	100	70.7	10	12	8	8	23	80	32.2	38.1	15.9	M10	<b>UC 206</b>	19.6 11.3	<b>FC 206</b>	1.18
35	<b>UCFC 207</b>	135	110	77.8	11	14	8	9	26	90	36.4	42.9	17.5	M12	<b>UC 207</b>	25.9 15.4	<b>FC 207</b>	1.55
40	<b>UCFC 208</b>	145	120	84.8	11	14	10	9	26	100	41.2	49.2	19	M12	<b>UC 208</b>	29.3 17.9	<b>FC 208</b>	1.85
45	<b>UCFC 209</b>	160	132	93.3	10	16	12	14	26	105	40.2	49.2	19	M14	<b>UC 209</b>	33 20.5	<b>FC 209</b>	2.42
50	<b>UCFC 210</b>	165	138	97.6	10	16	12	14	28	110	42.6	51.6	19	M14	<b>UC 210</b>	35.5 23.2	<b>FC 210</b>	2.71
55	<b>UCFC 211</b>	185	150	106.1	13	19	12	15	31	125	46.4	55.6	22.2	M16	<b>UC 211</b>	43 29.4	<b>FC 211</b>	3.9
60	<b>UCFC 212</b>	195	160	113.1	17	19	12	15	36	135	56.7	65.1	25.4	M16	<b>UC 212</b>	52.5 36.1	<b>FC 212</b>	4.55
65	<b>UCFC 213</b>	205	170	120.2	16	19	14	15	36	145	55.7	65.1	25.4	M16	<b>UC 213</b>	57.5 40	<b>FC 213</b>	5.11
70	<b>UCFC 214</b>	215	177	125.1	17	19	14	18	40	150	61.4	74.6	30.2	M16	<b>UC 214</b>	62 44	<b>FC 214</b>	6.4
75	<b>UCFC 215</b>	220	184	130.1	18	19	16	18	40	160	62.5	77.8	33.3	M16	<b>UC 215</b>	66 48.2	<b>FC 215</b>	6.92
80	<b>UCFC 216</b>	240	200	141.4	18	23	16	18	42	170	67.3	82.6	33.3	M20	<b>UC 216</b>	72.5 53	<b>FC 216</b>	8.6
85	<b>UCFC 217</b>	250	208	147.1	18	23	18	20	45	180	69.6	85.7	34.1	M20	<b>UC 217</b>	83.5 61.8	<b>FC 217</b>	9.83
90	<b>UCFC 218</b>	265	220	155.5	22	23	18	20	50	190	78.3	96	39.7	M20	<b>UC 218</b>	95.5 71.4	<b>FC 218</b>	12.24